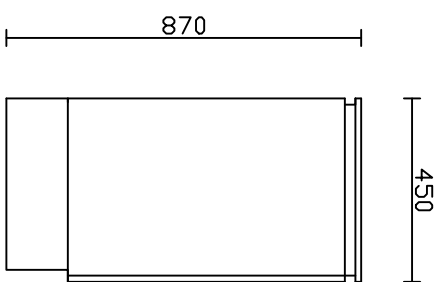
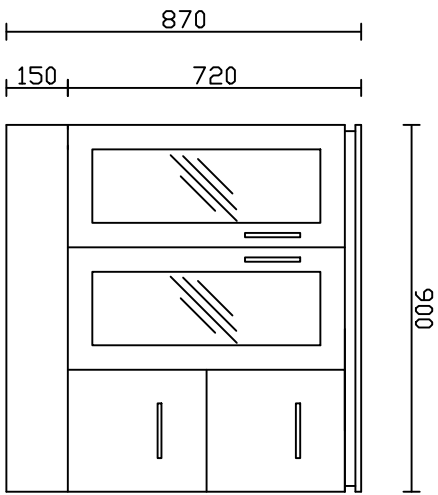


**Chester 900
Vanity Unit**



Astivita
BATHROOMS & KITCHENS

15 Susacatand Street
Rocklea Qld 4106
Ph: 07 3274 0767
Fax: 07 3274 0735
Email: info@astivita.com

The products displayed in this drawing were correct at the time of loading onto the website.
Astivita reserve the right to modify product specifications without further notice.